

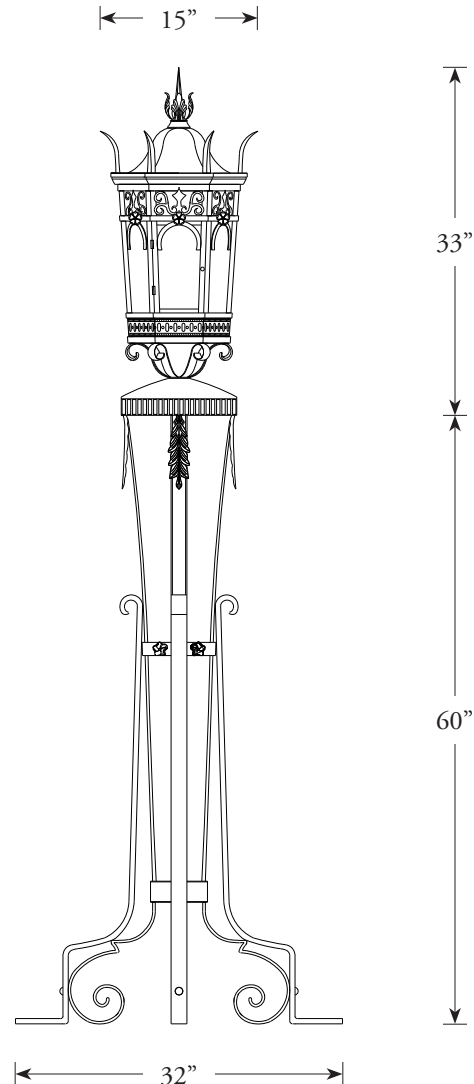


## Kingston Pole



Originally a gas lantern designed in 1873 by Myron S. Teller for the first city hall in Kingston, NY, it was used as both a sconce and pole mounted fixture. The fixtures were completely restored by Aurora Lampworks as part of the award-winning restoration of Old City Hall by John G. Waite Associates, Architects.

“The Kingston” features a single porcelain socket or three-light cluster in a hand forged frame with cast bronze details and custom glass panels. The finished fixture can be used as a Wall Sconce, Pendant, Post Mount or Pole Mount with flourishes added or deleted as desired.



- Materials:** Cast & wrought iron with bronze highlights
- Finish:** Painted / rosettes in polished bronze
- Glass:** Available in clear, frosted, clear seedy, frosted seedy
- Lamp:** One 100 Watt A lamp
- Options:** Wall Sconce, pendant, post mount, flush mount wall sconce, pole, conservatory wall sconce.
- Designer:** Myron S. Teller
- Notes:** Horns, scroll window dressing, rosettes, horseshoes and bronze banding are optional

### Kingston Pole

### Overall Dimensions:

93" tall x 32" wide

Phone (718) 384-6039 • Fax (718) 384-6198  
collection@auroralampworks.com

**Retail Price:** \$4,290.00 pole only  
\$7,995.00 pole with head