



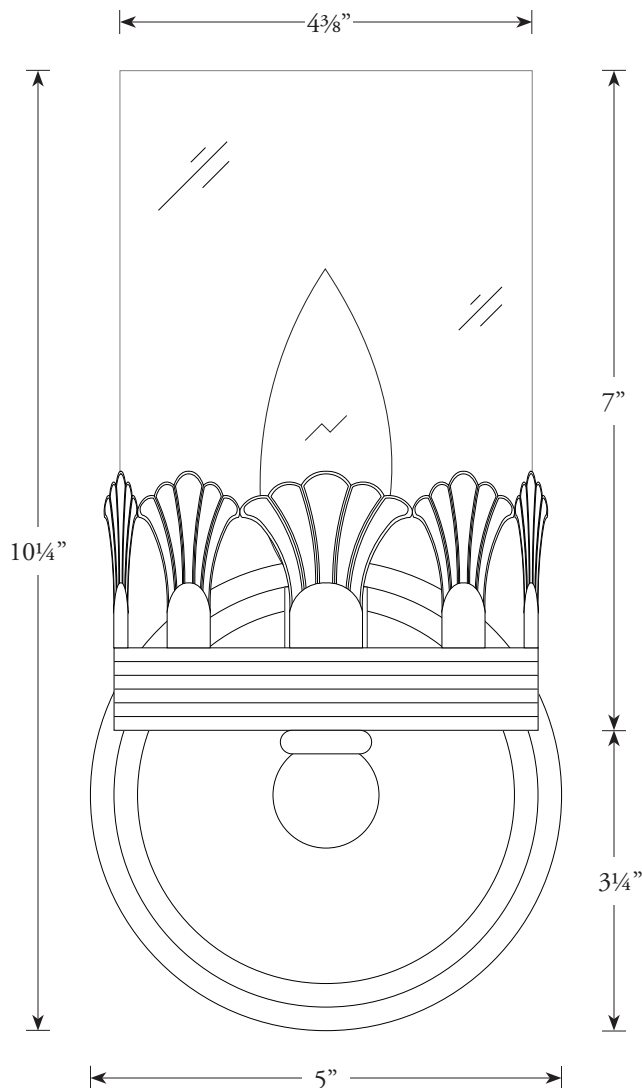
Westchester Sconce



Working closely with conservator Mark Rabinowitz from Conservation & Sculpture Co., Aurora restored both the exterior and interior lighting fixtures at the Michaelian Office Building in Westchester, NY.

The building was constructed in 1930 and is one of the many excellent examples of Art Deco in the White Plains area. The original design of one of the restored interior pendants was modified and streamlined for more contemporary tastes.

It is available either as a pendant or flush mount or on chains.



- Materials:** Cast bronze body with brass hardware
- Finishes:** Antiqued bronze with lacquer / oxidized brushed nickel
- Diffuser:** Lexan acrylic / hand blown glass
- Lamp:** One 60 Watt B lamp
- Options:** Pendant, flush mount, hanging or sconce
- Designer:** Adaptation from Michaelian Office Building
- Notes:** More patterns available (Spring 2007)

Westchester Sconce

Overall Dimensions:

10 1/4" tall x 6 3/8" deep x 5" wide

Phone (718) 384-6039 • Fax (718) 384-6198
collection@auroralampworks.com

Retail Price: \$1,300.00