



Hourglass Pendant

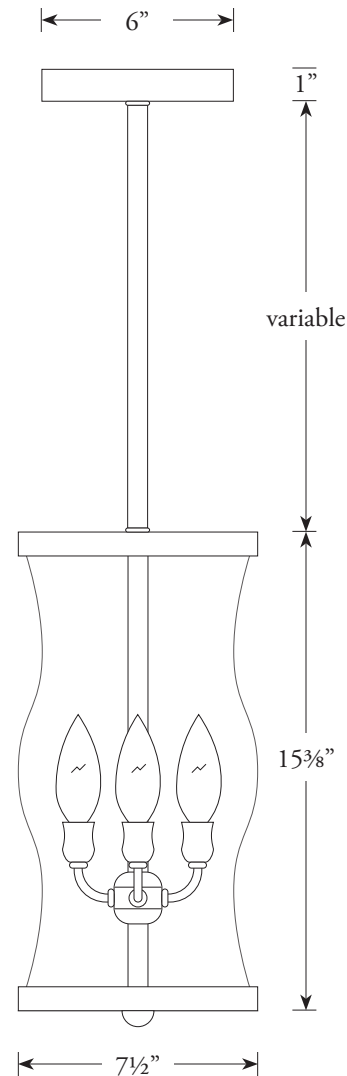
¾ size



The original Hourglass fixture was designed by Kim D'Oliveira of Morris Nathanson Design for the Mills Tavern in Rhode Island and the Wequassett Inn in Massachusetts.

The Hourglass is a multi-armed, hand-made chandelier with cherry mold blown glass referencing the shape of a traditional hourglass. Each piece of glass is unique and available in a choice of colors.

The fixture can be made as a single pendant, three, four or five arm chandelier or wall sconce.



- Materials:** Wrought iron with brass hardware
Finish: Lacquered black patina
Glass: Hand blown glass hurricanes (available in clear or seedy)
Lamp: Three 60 watt B lamps or Xenon lamps
Options: Single pendant, three, four or five arm chandelier or wall sconce
Designer: Kim D'Oliveira of Morris Nathanson Design
Notes: Variable stem length

Hourglass Pendant

¾ size

Phone (718) 384-6039 • Fax (718) 384-6198
collection@auroralampworks.com

Overall Dimensions:

minimum height: 16³/₈" x 7¹/₂" diameter

Retail Price: \$1,950.00
add \$65.00 for colored glass